

(Template for local translation, only for internal use)

# S-Scupper PVC

## Injection moulded PVC roof drain

---

### Product Description

The S-Scupper PVC is made of rigid high quality PVC by injection moulding procedure.

---

### Uses

The S-Scupper PVC is used as rainwater outlet through the parapet in flat roofs.

---

### Characteristics / Advantages

- Outstanding resistance to weathering, including UV irradiation
- Outstanding stress-cracking resistance
- Membrane can be welded directly to the base plate
- Ease of application
- Excellent weldability
- Recyclable

---

### Tests

---

#### Approvals / Standards

- Quality management system EN ISO 9001/14001

---

### Product Data

---

#### Form

---

#### Appearance

Surface: smooth

---

#### Colour

Light grey (nearest RAL 7047)

---

#### Packaging

Depending on the order quantity and product size, the products are packaged on pallets or in cartons.

---

#### Storage

---

#### Storage Conditions

The S-Scupper PVC shall be stored in dry conditions.

---

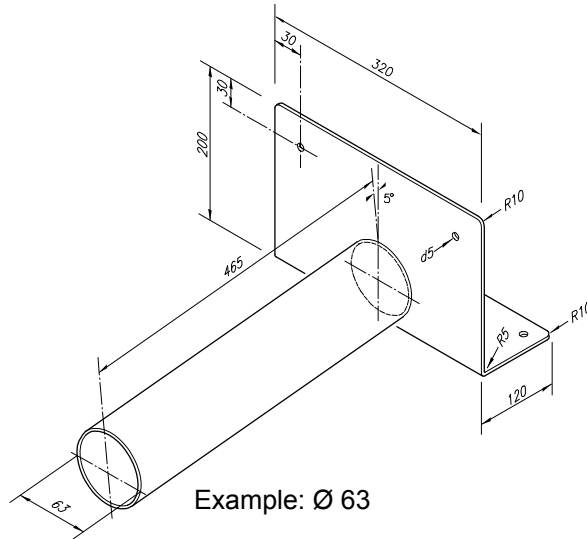
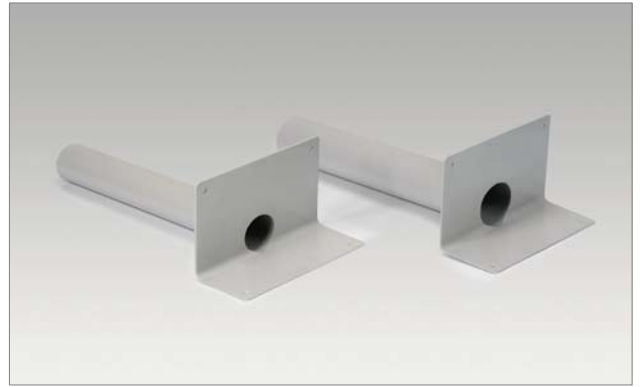
#### Shelf-Life

The S-Scupper PVC does not expire during correct storage.

---

Construction





Art. No.	Spigot			Base plate 90° angled	Flow rates	
	ø outside	length L	inclination angle $\alpha$		Depth of water 55 mm	75 mm
111965	40 mm	450 mm	0°	250 mm x 145/115 mm	0.50 l/s <sup>1)</sup>	0.75 l/s <sup>1)</sup>
111966	50 mm	450 mm	0°	250 mm x 150/100 mm	0.70 l/s <sup>1)</sup>	1.00 l/s <sup>1)</sup>
111967	63 mm	465 mm	5°	320 mm x 200/120 mm	1.05 l/s	1.40 l/s
111968	75 mm	465 mm	5°	320 mm x 200/120 mm	1.25 l/s	1.80 l/s
111969	90 mm	465 mm	5°	320 mm x 200/120 mm	1.45 l/s	2.35 l/s

<sup>1)</sup> Calculated value

## Technical Data

**Material Basis** Polyvinyl chloride (PVC)

**Thickness** 4.0 mm

---

## System Information

---

<b>System Structure</b>	Compatible products:	<ul style="list-style-type: none"><li>- Sarnafil® G 410 – types</li><li>- Sarnafil® G 411 – types</li><li>- Sarnafil® G 476 – types</li><li>- Sarnafil® S 327 – types</li><li>- Sarnafil® S 328 – types</li><li>- Sikaplan® G / VG / VGWT / S / SG / SGmA</li><li>- Sikaplan® SGK (with special connection stripes)</li></ul>
-------------------------	----------------------	---

---

## Application Conditions / Limits

---

<b>Temperature</b>	The use of the S-Scupper PVC is limited to geographical locations with average monthly minimum temperatures of -50 °C. Permanent ambient temperature during use is limited to +50 °C.
--------------------	--

---

## Installation Instructions

---

<b>Installation Method</b>	According to the valid installation instructions for Sarnafil® and Sikaplan® The S-Scupper PVC needs to be fastened securely to the roof parapet.
----------------------------	--

---

<b>Notes on Installation / Limits</b>	<p>Installation works must be carried out only by Sika instructed contractors for roofing.</p> <p>Temperature limits for the installation of the S-Scupper PVC:</p> <p>Substrate temperature:   -30 °C min. / +60 °C max. Ambient temperature:    -20 °C min. / +60 °C max.</p> <p>Installation of some ancillary products, e.g. contact adhesives / cleaners is limited to temperatures above +5 °C. Please observe information given by Product Data Sheets.</p> <p>Special measures may be compulsory for installation below +5 °C ambient temperature due to safety requirements in accordance with national regulations.</p>
---------------------------------------	---

---

<b>Value Base</b>	All technical data stated in this Product Data Sheet are based on laboratory tests. Actual measured data may vary due to circumstances beyond our control.
<b>Local Restrictions</b>	Please note that as a result of specific local regulations the performance of this product may vary from country to country. Please consult the local Product Data Sheet for the exact description of the application fields.
<b>Ecology, Health and Safety Information</b>	A Safety Data Sheet following EC-Regulation 1907/2006, Article 31 is not needed to bring the product to the market, to transport or to use it. The product does not damage the environment when used as specified.
<b>REACH</b>	<p><b>Editorial note for National Data Sheets:</b>  <b>(This part highlighted in yellow must be deleted during preparation of National Product Data Sheet)</b>  <b>The following information must be provided automatically and without prompting to industrial and professional users and distributors in any country in which REACH is applicable (Article 33.1):</b></p> <p><b>European Community Regulation on chemicals and their safe use (REACH: EC 1907/2006)</b></p> <p>This product is an article within the meaning of Regulation (EC) No 1907/2006 (REACH). It contains no substances which are intended to be released from the article under normal or reasonably foreseeable conditions of use. Therefore, there are no registration requirements for substances in articles within the meaning of Article 7.1 of the Regulation.</p> <p>Based on our current knowledge, this product does not contain SVHC (substances of very high concern) from the candidate list published by the European Chemicals Agency in concentrations above 0.1 % (w/w).</p>
<b>Protective Measures</b>	Fresh air ventilation must be ensured, when working (welding) in closed rooms. Local safety regulations must be observed.
<b>Transportation Class</b>	The product is not classified as hazardous good for transport.
<b>Disposal</b>	The material is recyclable. Disposal must be according to local regulations. Please contact your local Sika sales organisation for more information.

**Editorial note for National Data Sheets:**  
**(This note must be deleted during preparation of National Product Data Sheet)**  
**It may be necessary to adapt this disclaimer below to specific local laws and regulations. Any changes to this disclaimer may only be implemented with permission of Sika Corporate Legal in Baar.**

**Legal note:** The information, and, in particular, the recommendations relating to the application and end-use of Sika products, are given in good faith based on Sika's current knowledge and experience of the products when properly stored, handled and applied under normal conditions in accordance with Sika's recommendations. In practice, the differences in materials, substrates and actual site conditions are such that no warranty in respect of merchantability or of fitness for a particular purpose, nor any liability arising out of any legal relationship whatsoever, can be inferred either from this information, or from any written recommendations, or from any other advice offered. The user of the product must test the product's suitability for the intended application and purpose. Sika reserves the right to change the properties of its products. The proprietary rights of third parties must be observed. All orders are accepted subject to our current terms of sale and delivery. Users must always refer to the most recent issue of the local Product Data Sheet for the product concerned, copies of which will be supplied on request.



Sika Services AG  
 BU Contractors  
 Industriestrasse 26  
 6060 Sarnen  
 Switzerland

Phone +41 58 436 79 66  
 Telefax +41 58 436 78 83  
 www.sika.com

